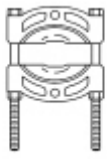
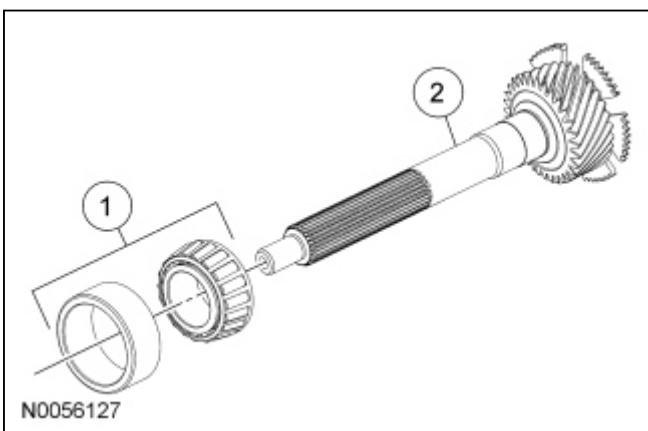


Input Shaft and Bearing

Special Tool(s)

 <p>ST1368-A</p>	Puller, Bearing 205-D064 (D84L-1123-A)
---	---

Disassembly and Assembly

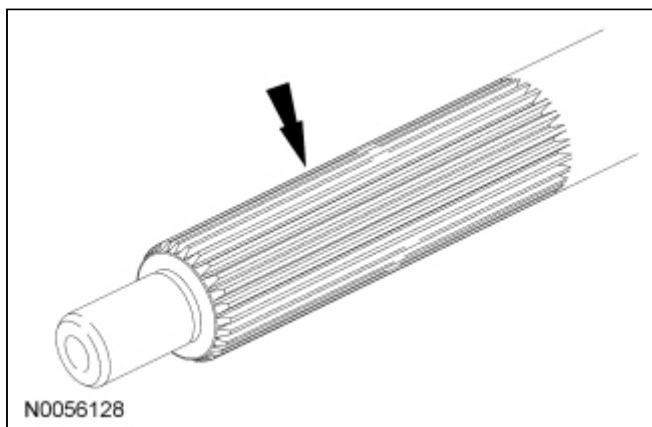


Item	Part Number	Description
1	7025	Input shaft bearing
2	7017	Input shaft

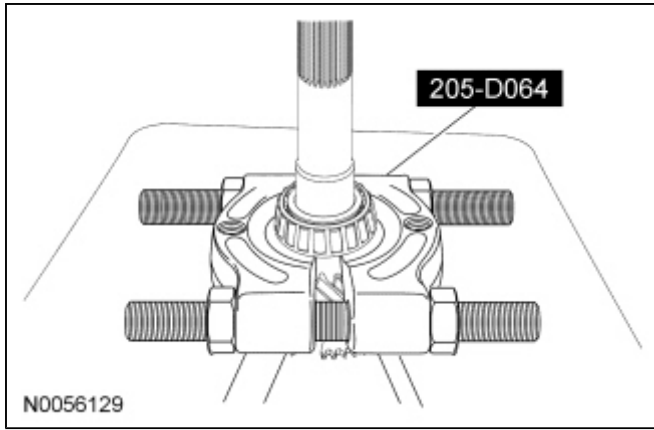
- NOTE:** Any wear or damage on the input shaft can prevent the clutch from operating correctly.

Inspect the splines on the input shaft for wear or damage. If worn or damaged, install a new input shaft.

- Use an emery cloth to remove small scratches.



- Using the Bearing Puller and a press, remove the input shaft front bearing.



3. Using the Bearing Puller and a press, install a new input shaft bearing.

